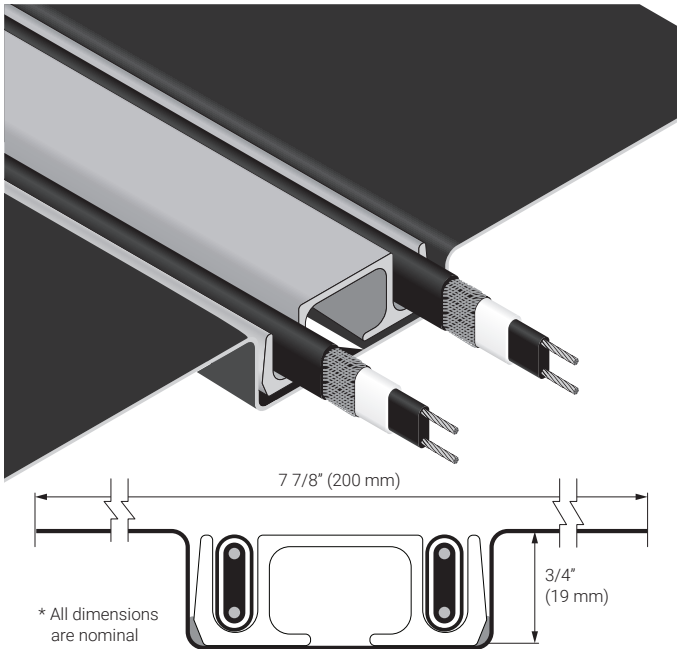


## SNOWMELT CONCEALED PANEL SYSTEM FOR CONCEALED ROOF & GUTTER DE-ICING



### PRODUCT OVERVIEW

nVent RAYCHEM brand Roof Ice Melt (RIM) systems are designed to eliminate icicles and ice dam problems in wide range of applications.

RIM Snow Melt Concealed (RIM-SC) system is designed to mount under the roof surface so that the entire RIM panel is concealed. The system consists of high wattage RAYCHEM IceStop electric heating cable, Aluminum extrusion designed to fit the cable and a base panel for efficient heat transfer. The RIM-SC system uses 2 linear runs of heating cable with power output necessary for heavy snow load areas.

RIM systems provide:

- Long term roof deicing solution by mechanically protecting the heating cable
- Aesthetically pleasing solution by concealing the heating cable
- High performance and reliable solution for heavy snow load areas



### CATALOG NUMBER

RIM-SC, Snowmelt System, aluminum

### CONTENTS

RIM-SC	Extrusion (1 ft per foot of RIM-SC)
	Base Panel (1 ft per foot of RIM-SC)
	IceStop Heating Cable (2 ft per foot of RIM-SC)

### MATERIALS OF CONSTRUCTION

Extrusion	Aluminum
Base Panel	Aluminum

### ADDITIONAL MATERIALS (AS REQUIRED)

Power Connection kits (WPCK-R)	Contains a heat shrink power connection and end seal designed for RIM systems
Splice/Tee Connection kits (WSTK)	Heat shrink splice or tee kit designed for RIM systems
RIM Adhesive/Sealant	Silicone adhesive for RIM systems

Note: Only approved connection kits and accessories must be used with RIM Systems. Refer to RIM design guide (H59561) for proper selection.

## PRODUCT SPECIFICATIONS (NOMINAL)

Power Output	24 W/ft of RIM-SC (79 W/m of RIM-SC) in snow or ice
Minimum Installation Temperature	0°F (-18°C)
Overall Base Dimensions	Width: 7 7/8 in (200 mm) Thickness: 3/4 in (19 mm)
Overall Extrusion Dimensions	Width: 1 3/4 in (44 mm) Thickness: 5/8 in (16 mm)
Weight	1156 lb/1000 ft (1720 kg/km)

## HEATING CABLE SPECIFICATIONS (NOMINAL)

Voltage	IceStop GM-1X: 120 Vac
	IceStop GM-2X: 208-277 Vac
Minimum Bend Radius	5/8 in (16 mm)

## MAXIMUM CIRCUIT LENGTH IN FEET (METERS)

	Start-up temperature		Circuit breaker size							
			15 A	20 A	30 A	40 A				
GM-1X at 120 volts	32°F (0°C)		100 (30)	135 (41)	200 (61)	–				
	20°F (-7°C)		95 (29)	125 (38)	185 (56)	200 (61)				
	0°F (-18°C)		80 (24)	100 (30)	155 (47)	200 (61)				
GM-2X at 208 volts	32°F (0°C)		190 (58)	250 (76)	380 (116)	–				
	20°F (-7°C)		180 (55)	235 (72)	355 (108)	380 (116)				
	0°F (-18°C)		145 (44)	195 (59)	290 (88)	380 (116)				
GM-2X at 240 volts	32°F (0°C)		200 (61)	265 (81)	400 (122)	–				
	20°F (-7°C)		190 (58)	250 (76)	370 (113)	400 (122)				
	0°F (-18°C)		155 (47)	205 (62)	305 (93)	400 (122)				
GM-2X at 277 volts	32°F (0°C)		215 (66)	290 (88)	415 (126)	–				
	20°F (-7°C)		200 (61)	265 (81)	400 (122)	415 (126)				
	0°F (-18°C)		165 (50)	225 (69)	330 (101)	415 (126)				

## APPROVALS

The IceStop heating cables are UL Listed and CSA Certified only when used with the appropriate agency-approved nVent connection kits and accessories. For approvals information, refer to the IceStop heating cable data sheet H56428.

## GROUND-FAULT PROTECTION

To minimize the danger of fire from sustained electrical arcing if the heating cable is damaged or improperly installed, and to comply with the requirements of nVent, agency certifications, and national electrical codes, ground-fault equipment protection must be used on each heating cable branch circuit. Arcing may not be stopped by conventional circuit protection. Many RAYCHEM control and monitoring systems meet the ground-fault protection requirement.

## North America

Tel +1.800.545.6258  
Fax +1.800.527.5703  
thermal.info@nvent.com



nVent.com

Our powerful portfolio of brands:

CADDY ERICO HOFFMAN RAYCHEM SCHROFF TRACER