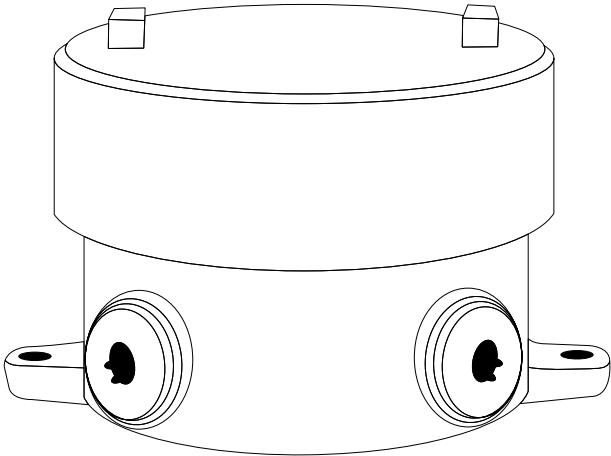


HAZARDOUS LOCATION CAST ENCLOSURE FOR MI HEATING UNITS IN CID1 APPLICATIONS



PRODUCT OVERVIEW

Hazardous area (CID1) or ordinary area applications

MI power connection box

MI splice connection box

Enables conduit connection for power supply

Provides easy access to terminations for maintenance and future system changes

RTD connection box

CONSTRUCTION

- Aluminum Body and Cover (Copper-free aluminum (less than 4/10 of 1%))
- Electrostatically applied powder coating finish
- External threaded body provides additional wiring room, cover opening 3 1/2" (89 mm)
- Smooth, rounded integral bushing in each hub protects conductor insulation
- Cover and gasket furnished with box as standard, Type 4X
- 5 x 3/4" threaded hub locations (One in base, 4 on sides)
- 3 x 3/4" close up plugs
- 2 reducer bushings 3/4" x 1/2"
- Two cast in mounting lugs
- Dimensions: 4 1/2" x 3 1/2" (114 x 89 mm)

APPROVALS

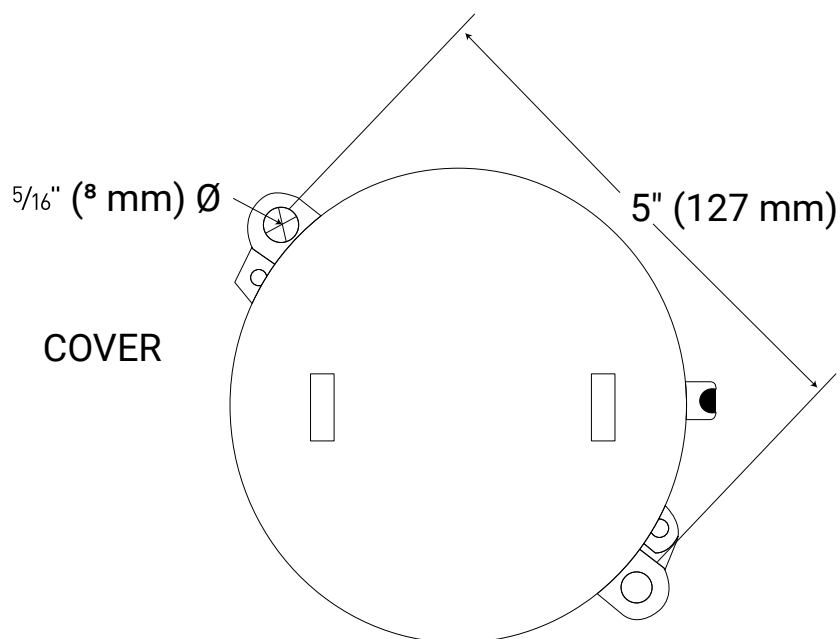
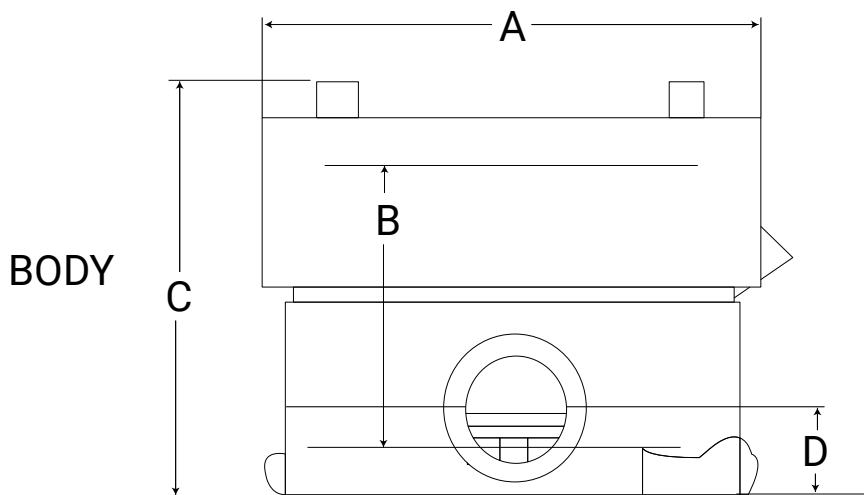
Class I, Div.1 (Zone 1) & Div. 2 (Zone 2), Groups B, C, D
 Class II, Div. 1 & 2, Groups E, F, G
 Class III
 Enclosure Type: Type 4X

**ELECTRICAL SPECIFICATIONS**

Green ground screw
 4 pole terminal strip (CSA-600 Vac, 65 A, 18-6 AWG /UL-300 Vac, 65 A, 18-6 AWG)
 Maximum operating voltage 600Vac
 Power cable gland not included
 Space to tap an external bonding connection - when a metal junction box is used for MI splices, a bonding conductor is required

ENCLOSURE DETAIL**XMI-JB**

Catalog Number	Hub Size	Dimensions				Cover Opening	Volume CU. in.
		A	B	C	D		
XMI-JB	$\frac{3}{4}$ "	4 $\frac{1}{2}$ " (114 mm)	2 $\frac{3}{8}$ " (60 mm)	3 $\frac{1}{2}$ " (89 mm)	$\frac{11}{16}$ " (17 mm)	3 $\frac{1}{2}$ " (89 mm)	25



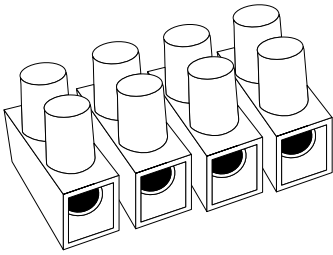
ORDERING DETAILS

Description	Catalog number	Part number	Weight/lbs
Enclosure	XMI-JB	XMI-JB	3.5lbs

XMI-JB**Spare Parts and Accessories**

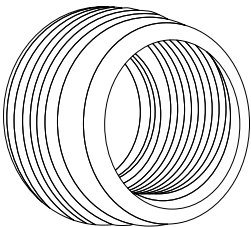
Terminal Strip	4POLETSTRIP	4POLETSTRIP	0.1lbs
-----------------------	-------------	-------------	--------

- 4 pole terminal strip (CSA-600 Vac, 65 A, 18–6 AWG /UL-300 Vac, 65 A, 18–6 AWG) for use with XMI-JB enclosure
- May be used for additional RTD connections



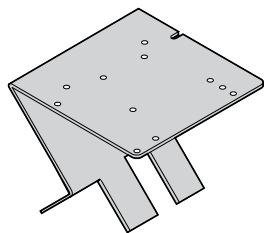
Reducer Bushing	PTRDBH3412	PTRDBH3412	0.1 lbs
------------------------	------------	------------	---------

- Zinc plated steel reducer bushing for use with XMI-JB enclosure
- Reduces 3/4" NPT tapered hole to 1/2" NPT
- Body length 23/32" (18 mm)
- Class I, Div. 1 & 2, Groups A,B,C,D
- Class I, Zone 1, Groups IIC, IIB, IIA
- Class II, Div 1 & 2, Groups E,F,G



Support Bracket	UMB	263757-000	1.0 lbs
------------------------	-----	------------	---------

- Pipe mounted support bracket
- Material: 304 stainless steel
- Accommodates 3" (76 mm) of insulation
- Order pipe strap separately (allow 1 1/2" (40 mm) extra length on strap)



North America

Tel +1.800.545.6258
Fax +1.800.527.5703
info@nvent.com

Europe, Middle East, Africa

Tel +32.16.213.511
Fax +32.16.213.604
info@nvent.com

Asia Pacific

Tel +86.21.2412.1688
Fax +86.21.5426.3167
cn.info@nvent.com

Latin America

Tel +1.713.868.4800
Fax +1.713.868.2333
info@nvent.com



nVent.com

Our powerful portfolio of brands:

CADDY ERICO HOFFMAN RAYCHEM SCHROFF TRACER