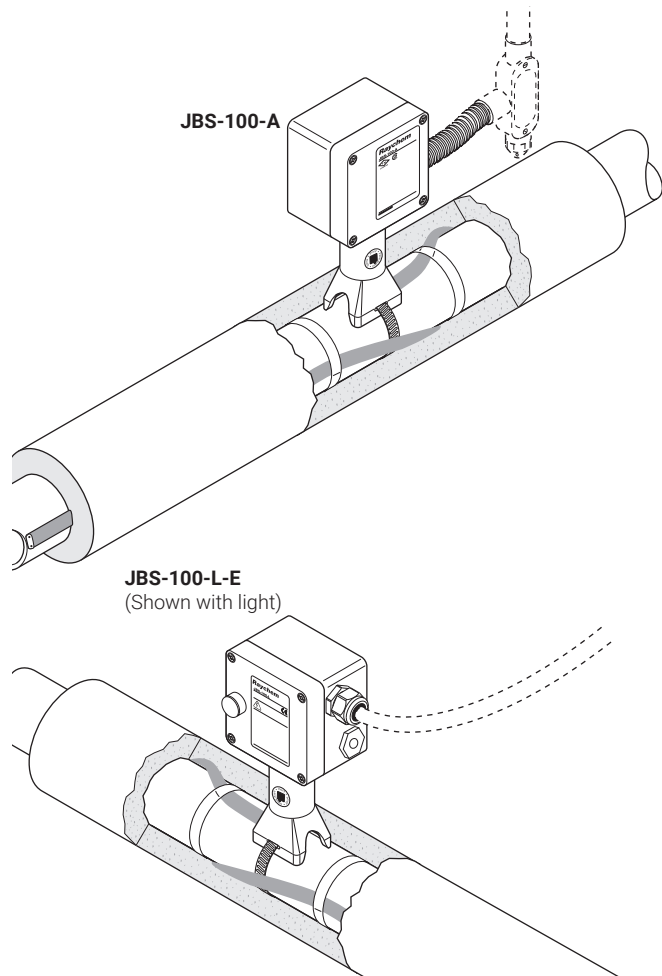


# JBS-100



**RAYCHEM**

## SINGLE-ENTRY POWER CONNECTION WITH JUNCTION BOX



### PRODUCT OVERVIEW

The nVent RAYCHEM JBS-100 kit is designed to connect power to a single RAYCHEM brand BTV, QTVR, XTV, KTV, or VPL heating cable. It is approved by FM, CSA, PTB and IEx for use in hazardous locations.

The JBS-100 integrates the functions of connection kits and insulation entries. The rugged stand protects the heating cable and allows for up to four inches (100 mm) of thermal insulation.

The cold-applied core sealer does not require a heat gun or torch for installation, so no hot work permit is necessary. The silicone-free, noncuring sealant allows easy installation and re-entry for maintenance.

Innovative spring clamp terminals provide fast installation and safe, reliable, maintenance-free operation.

Compared with other systems, this connection kit significantly reduces installation time. The kit is offered in three versions, customized for local installation practices, and is also available with a plug-in LED light (-L) that indicates when power is supplied to the heating cable circuit.

The kit contains all the necessary materials for a complete installation except for one pipe strap, which must be ordered separately.



JBS-100-A, A6  
JBS-100-L-A\*

JBS-100-E  
JBS-100-L-E\*

JBS-100-EP  
JBS-100-L-EP\*

\*Not for use with 480 V VPL

## DESCRIPTION

This kit has a junction box with one through hole.

This kit has a junction box with two M25 threaded entries, one stopping plug and one plastic power cable gland.

This kit has a junction box with two M25 threaded entries, an earthing plate and an external earthing stud. It is designed for use with armored power cables.

## KIT CONTENTS

**Note:** Order appropriate pipe strap separately (one per kit)

1 junction box with terminals  
1 stand assembly  
1 core sealer  
1 green/yellow tube  
1 light module (for -L only)  
1 cable tie

1 junction box with terminals  
1 stand assembly  
1 core sealer  
1 green/yellow tube  
1 M25 gland for power cable 8–17 mm in diameter  
1 M25 stopping plug  
1 light module (for -L only)  
1 cable tie

1 junction box with terminals, earth continuity plate, and stud  
1 stand assembly  
1 core sealer  
1 green/yellow tube  
1 M25 stopping plug (for -L only)  
1 cable tie

## APPROVALS

### Hazardous Locations



Class I, Div. 2, Groups A, B, C, D<sup>(2)</sup>  
Class II, Div. 2, Groups E, F, G<sup>(2)</sup>  
Class III<sup>(2)</sup>



<sup>(1)</sup> CLI, ZN1, AEx e II T<sup>(2)</sup>  
CLI, ZN1, AEx em II T<sup>(2)</sup> (for -L only)



Ex e II T<sup>(2)</sup>  
Ex em II T<sup>(2)</sup> (for -L only)



Ex e IIC T\* Gb  
Ex em IIC T\* Gb



PTB 09 ATEX 1059U  
II 2G Ex e (e mb) II  
II 2D Ex tD (tD mbD) A21 IP66  
IECEX PTB09.0037U  
Ex e (e mb) II  
Ex tD (tD mbD) A21 IP66



Ex e II T<sup>(2)</sup>



Ex e IIC T\* Gb  
Ex em IIC T\* Gb



PTB 09 ATEX 1059U  
II 2G Ex e (e mb) II  
II 2D Ex tD (tD mbD) A21 IP66  
IECEX PTB09.0037U  
Ex e (e mb) II  
Ex tD (tD mbD) A21 IP66



Ex em II T<sup>(2)</sup>

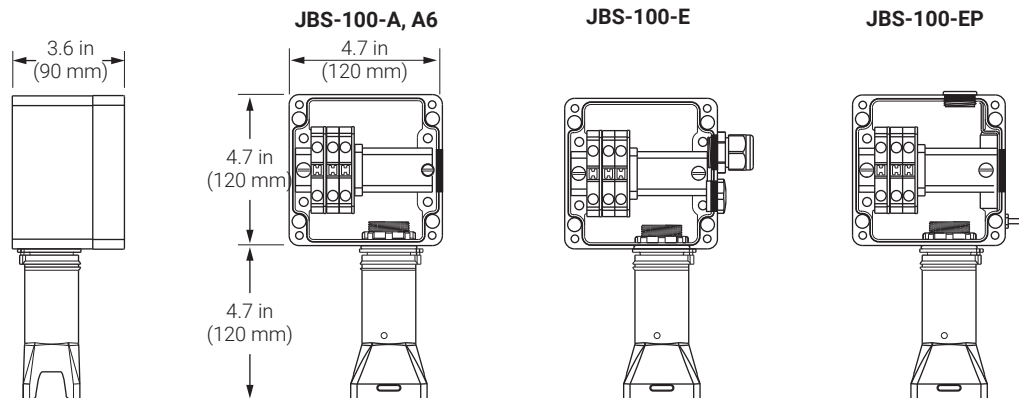


Ex em IIC T\* Gb  
Ex e IIC T\* Gb

<sup>(1)</sup>Except VPL

<sup>(2)</sup>For T-rating, see heating cable or design documentation

## DIMENSIONS



**PRODUCT SPECIFICATIONS**

Heating cable capability	BTV-CR, BTV-CT, QTVR-CT, XTV-CT, KTV-CT and VPL-CT		
Ingress protection	Type 4X	IP66	IP66
Entries	1 x 3/4 in	2 x M25	2 x M25
Minimum installation temperature	-40°F (-40°C)	-40°F (-40°C)	-40°F (-40°C)
Minimum ambient temperature	-75°F (-60°C)*	-60°F (-50°C)*	-60°F (-50°C)*
Maximum ambient temperature	132°F (56°C)*	132°F (56°C)*	132°F (56°C)*
	* For -L lighted kits, the ambient temperature range is -40°F (-40°C) to 104°F (40°C). For non-lighted kits, use a power wire with continuous temperature rating of > 194°F (90°C). For -E and -EP kits use a metallic power cable gland.		
Maximum pipe temperature	500°F (260°C)	500°F (260°C)	500°F (260°C)
Terminals	Spring clamp Ex e 2 line, 1 ground	Spring clamp Ex e 1 phase, 1 neutral, 1 earth	Spring clamp Ex e 1 phase, 1 neutral, 1 earth
Maximum conductor size	8 AWG (A6 to 6 AWG)	10 mm <sup>2</sup>	10 mm <sup>2</sup>
Maximum operating voltage	480 Vac	480 Vac	480 Vac
Maximum circuit breaker rating	50 A	40 A	40 A

**MATERIALS**

Enclosure	Electrostatic charge-resistant glass-filled engineered polymer, black	Electrostatic charge-resistant glass-filled engineered polymer, black	Electrostatic charge-resistant glass-filled engineered polymer, black
Lid screws	Stainless steel	Stainless steel	Stainless steel
Lid gasket	Silicone rubber	Silicone rubber	Silicone rubber
Earth continuity plate	n/a	n/a	Steel, zinc-plated and yellow-chromated

**OPTIONAL LED INDICATOR LIGHT**

Color	Red	Green	Green
Voltage rating	100-277 Vac	100-277 Vac	100-277 Vac
Power consumption	< 1 W	< 1 W	< 1 W

**ORDERING DETAILS****Power connection**

Catalog number	JBS-100-A / JBS-100-A6	JBS-100-E	JBS-100-EP
Part number	085947-000 / C26470-000	829939-000	158251-000
Weight	2.5 lb (1.1 kg)	1.2 kg (2.6 lb)	1.3 kg (2.9 lb)

**Power connection with light**

Catalog number	JBS-100-L-A	JBS-100-L-E	JBS-100-L-EP
Part number	944699-000	054363-000	075249-000
Weight	3.5 lb (1.6 kg)	1.6 kg (3.5 lb)	1.7 kg (3.7 lb)

**North America**

Tel +1.800.545.6258  
Fax +1.800.527.5703  
thermal.info@nvent.com

**Europe, Middle East, Africa**

Tel +32.16.213.511  
Fax +32.16.213.604  
thermal.info@nvent.com

**Asia Pacific**

Tel +86.21.2412.1688  
Fax +86.21.5426.3167  
cn.thermal.info@nvent.com

**Latin America**

Tel +1.713.868.4800  
Fax +1.713.868.2333  
thermal.info@nvent.com



[nVent.com](http://nVent.com)

Our powerful portfolio of brands:

**CADDY ERICO HOFFMAN RAYCHEM SCHROFF TRACER**