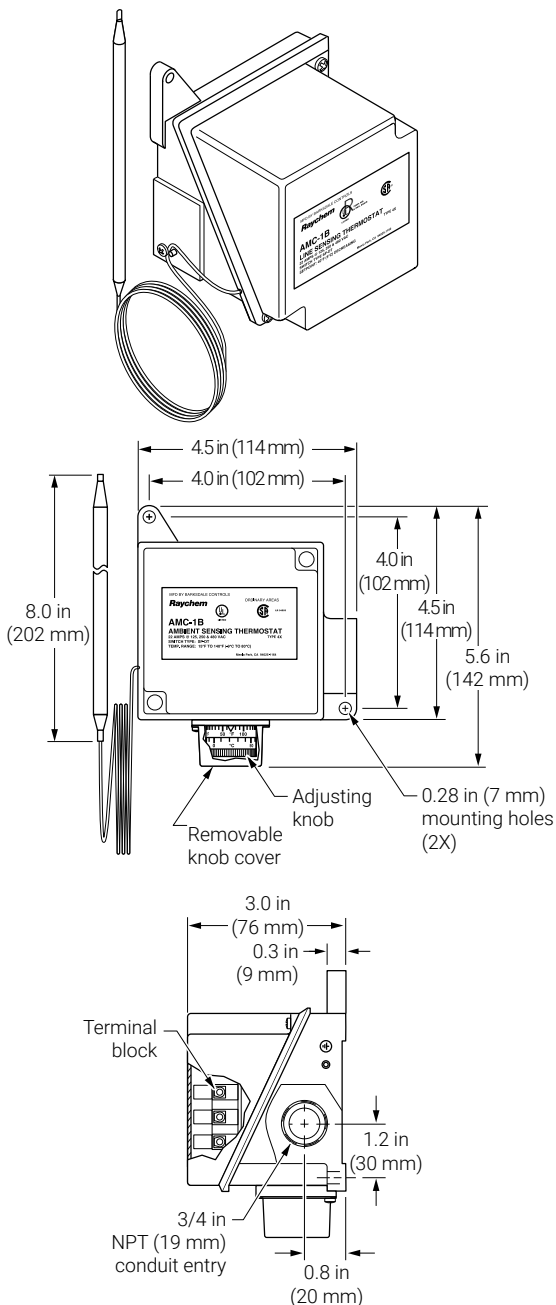


## LINE-SENSING THERMOSTAT FOR NONHAZARDOUS LOCATIONS



### PRODUCT OVERVIEW

The nVent RAYCHEM AMC-1B line-sensing thermostat is designed to control heat-tracing systems in nonhazardous locations. The AMC-1B senses pipe or tank wall temperatures and can be used to control a single heat-tracing circuit or as a pilot control of a contactor switching multiple heat-tracing circuits. It can also be used to indicate low-temperature or high-temperature alarm conditions.

### SPECIFICATIONS

Enclosure	TYPE 4X, polyurethane-coated cast-aluminum housing, stainless steel hardware
Entries	One 3/4-in NPT conduit hub
Set point range	25°F to 325°F (-4°C to 163°C)
Sensor exposure limits	-40°F to 420°F (-40°C to 215°C)
Housing exposure limits	-40°F to 160°F (-40°C to 71°C)
Switch	SPDT
Electrical rating	22 A at 125 / 250 / 480 Vac
Accuracy	±6°F (±3.3°C)
Deadband	2°F to 12°F (1.1°C to 6.7°C) above actuation temperature
Set point repeatability	±3°F (±1.7°C)
Sensor type	Fluid-filled (silicone) bulb and 9 ft (2.7 m) capillary
Sensor material	300 series stainless steel
Connection terminals	Screw terminals, 10–14 AWG (2–5 mm <sup>2</sup> )

### APPROVALS



**North America**

Tel +1.800.545.6258

Fax +1.800.527.5703

info@nvent.com



[nVent.com](https://www.nvent.com)

Our powerful portfolio of brands:

**CADDY ERICO HOFFMAN RAYCHEM SCHROFF TRACER**