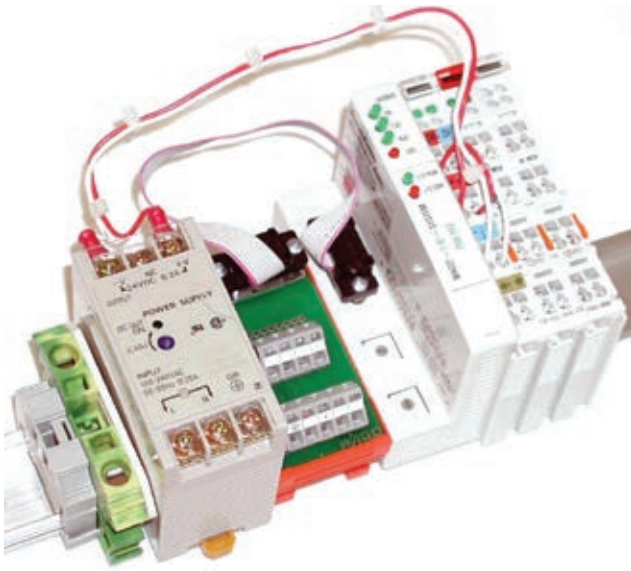


## NETWORK RELAY MODULE



### PRODUCT OVERVIEW

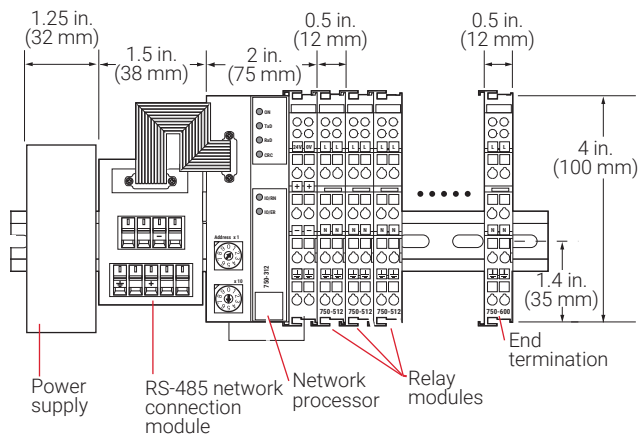
The nVent RAYCHEM TraceTek TT-NRM Network Relay Module provides the capability to add up to 320 individual alarm relays to a nVent RAYCHEM TraceTek TTDM-128 or TT-TS12 leak detection network. The TT-NRM communicates with the TTDM-128 or TT-TS12 via the same RS-485 network used for TTSIMs. The TT-NRM can be installed in a wide variety of configurations, allowing many leak detection system layout possibilities.

### Expandable

The TT-NRM is supplied as a base unit (with power supply, communications interface, DIN rail and end blocks) and separate relay modules. Each relay module contains 2 independently addressable relays. Up to 16 relay modules can be installed on each base unit, and up to 10 base units can be connected to a single TTDM-128 or TT-TS12. The leak detection network can be expanded at any time with minimal effort.

### Versatile

The TT-NRM can be installed in large panels, or wall mounted in its own optional enclosure. TT-NRMs can be centrally located with the TTDM-128 or TT-TS12, or distributed throughout the leak detection network to minimize wiring costs. The TT-NRM can be used to operate valves, control audible or visual alarms, or interface with other control systems.



Width = 5.0 in. + 0.5 in. per relay module (+ 3.5 in. for optional power supply)  
= 127 mm + 12 mm per relay module (+ 90 mm for optional power supply)

### TECHNICAL INFORMATION

Network compatibility		TTDM-128 or TT-TS12
Relays	Number	Up to 32 Form A contacts per TT-NRM
	Voltage rating	250 Vac, 30 Vdc
	Current rating	1 Amp
	Isolation	2.5 kV

## ENVIRONMENTAL RATINGS

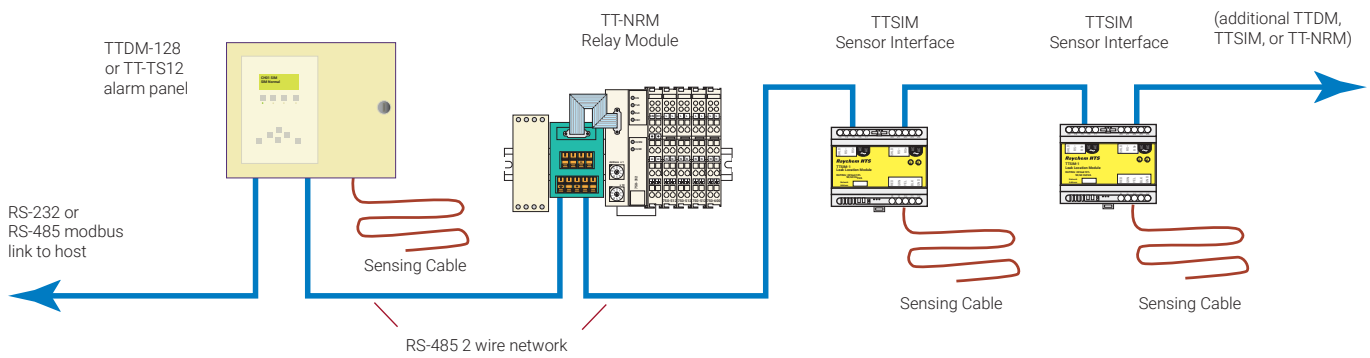
Storage temperature	-25 °C to 85 °C
Operating temperature	0 °C to 55 °C
Humidity	5% to 95% non-condensing
Ingress protection	IP 2X

## POWER REQUIREMENTS

Supply voltage	110~240 Volts, AC (50/60 Hz)
Power consumption	6 W

## ORDERING INFORMATION

	Catalog number	Description
Base unit	TT-NRM-BASE	Base unit with power supply, communication interface and 1 relay output module (2 relays)
Relay modules	TT-NRM-2RO	Relay output module with 2 relays



**TraceTek network arrangement**

## APPROVALS

Individual modules are listed or approved by UL, c-UL, KEMA and other national and international agencies. Contact the factory for questions regarding specific approvals.

## ELECTROMAGNETIC COMPATIBILITY

Compliant with standards for immunity	EN 50082-2 (industrial)
Compliant with standards for emissions	EN 50081-2 (industrial)

### North America

Tel +1.800.545.6258  
 Fax +1.800.527.5703  
 thermal.info@nvent.com

### Europe, Middle East, Africa

Tel +32.16.213.511  
 Fax +32.16.213.604  
 thermal.info@nvent.com

### Asia Pacific

Tel +86.21.2412.1688  
 Fax: +86.21.5426.3167  
 cn.thermal.info@nvent.com

### Latin America

Tel: +1.713.868.4800  
 Fax: +1.713.868.2333  
 thermal.info@nvent.com



nVent.com

Our powerful portfolio of brands:

**CADDY ERICO HOFFMAN RAYCHEM SCHROFF TRACER**