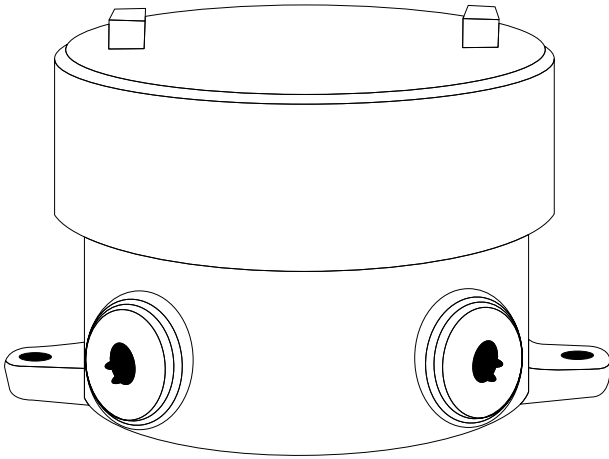


# Raychem XMI-JB

## HAZARDOUS LOCATION CAST ENCLOSURE FOR MI HEATING UNITS IN CID1 APPLICATIONS

Aluminum enclosure for CID1 areas

---



### PRODUCT OVERVIEW

---

Hazardous area (CID1) or ordinary area applications

MI power connection box

MI splice connection box

Enables conduit connection for power supply

Provides easy access to terminations for maintenance and future system changes

RTD connection box

### CONSTRUCTION

---

- Aluminum Body and Cover (Copper-free aluminum (less than 4/10 of 1%))
- Electrostatically applied powder coating finish
- External threaded body provides additional wiring room, cover opening 3 1/2" (89 mm)
- Smooth, rounded integral bushing in each hub protects conductor insulation
- Cover and gasket furnished with box as standard, Type 4X
- 5 x 3/4" threaded hub locations (One in base, 4 on sides)
- 3 x 3/4" close up plugs
- 2 reducer bushings 3/4" x 1/2"
- Two cast in mounting lugs
- Dimensions: 4 1/2" x 3 1/2" (114 x 89 mm)

**APPROVALS**

Class I, Div.1 (Zone 1) & Div. 2 (Zone 2), Groups B, C, D  
 Class II, Div. 1 & 2, Groups E, F, G  
 Class III  
 Enclosure Type: Type 4X



**ELECTRICAL SPECIFICATIONS**

Green ground screw

4 pole terminal strip (CSA-600 Vac, 65 A, 18-6 AWG /UL-300 Vac, 65 A, 18-6 AWG)

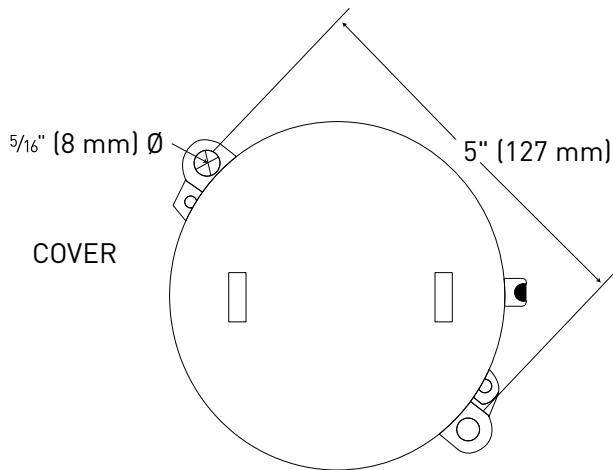
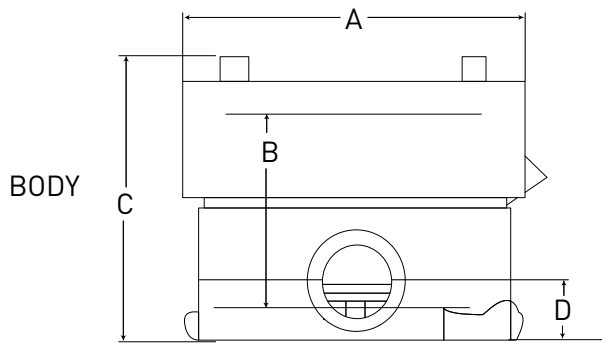
Maximum operating voltage 600Vac

Power cable gland not included

Space to tap an external bonding connection - when a metal junction box is used for MI splices, a bonding conductor is required

**ENCLOSURE DETAIL**

| XMI-JB         |          |                 |                |                |                |                |                |
|----------------|----------|-----------------|----------------|----------------|----------------|----------------|----------------|
| CATALOG NUMBER | HUB SIZE | DIMENSIONS      |                |                |                | COVER OPENING  | VOLUME CU. IN. |
|                |          | A               | B              | C              | D              |                |                |
| XMI-JB         | 3/4"     | 4 1/2" (114 mm) | 2 3/8" (60 mm) | 3 1/2" (89 mm) | 1 1/4" (17 mm) | 3 1/2" (89 mm) | 25             |



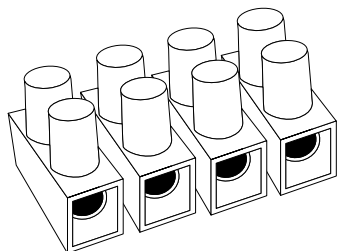
**ORDERING DETAILS**

| Description | Catalog number | Part number | Weight/lbs |
|-------------|----------------|-------------|------------|
| Enclosure   | XMI-JB         | XMI-JB      | 3.5lbs     |

**XMI-JB****Spare Parts and Accessories****Terminal Strip**

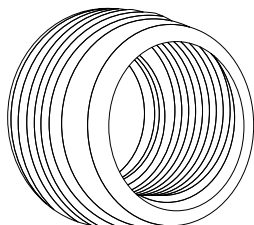
|             |             |        |
|-------------|-------------|--------|
| 4POLETSTRIP | 4POLETSTRIP | 0.1lbs |
|-------------|-------------|--------|

- 4 pole terminal strip (CSA-600 Vac, 65 A, 18-6 AWG /UL-300 Vac, 65 A, 18-6 AWG) for use with XMI-JB enclosure
- May be used for additional RTD connections

**Reducer Bushing**

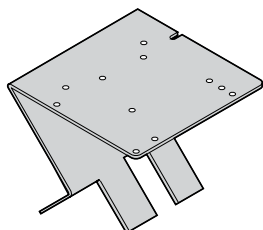
|            |            |         |
|------------|------------|---------|
| PTRDBH3412 | PTRDBH3412 | 0.1 lbs |
|------------|------------|---------|

- Zinc plated steel reducer bushing for use with XMI-JB enclosure
- Reduces 3/4" NPT tapered hole to 1/2" NPT
- Body length 23/32" (18 mm)
- Class I, Div. 1 & 2, Groups A,B,C,D
- Class I, Zone 1, Groups IIC, IIB, IIA
- Class II, Div 1 & 2, Groups E,F,G

**Support Bracket**

|     |            |        |
|-----|------------|--------|
| UMB | 263757-000 | 1.0lbs |
|-----|------------|--------|

- Pipe mounted support bracket
- Material: 304 stainless steel
- Accommodates 3" (76 mm) of insulation
- Order pipe strap separately (allow 1 1/2" (40 mm) extra length on strap)





[WWW.PENTAIRTHERMAL.COM](http://WWW.PENTAIRTHERMAL.COM)

**NORTH AMERICA**

Tel: +1.800.545.6258  
Fax: +1.800.527.5703  
Tel: +1.650.216.1526  
Fax: +1.650.474.7215  
[thermal.info@pentair.com](mailto:thermal.info@pentair.com)

**EUROPE, MIDDLE EAST, AFRICA**

Tel: +32.16.213.511  
Fax: +32.16.213.603  
[thermal.info@pentair.com](mailto:thermal.info@pentair.com)

**ASIA PACIFIC**

Tel: +86.21.2412.1688  
Fax: +86.21.5426.2937  
[cn.thermal.info@pentair.com](mailto:cn.thermal.info@pentair.com)

**LATIN AMERICA**

Tel.: +1.713.868.4800  
Fax: +1.713.868.2333  
[thermal.info@pentair.com](mailto:thermal.info@pentair.com)

Pentair is owned by Pentair or its global affiliates. All other trademarks are the property of their respective owners. Pentair reserves the right to change specifications without prior notice.

© 2004 - 2016 Pentair.