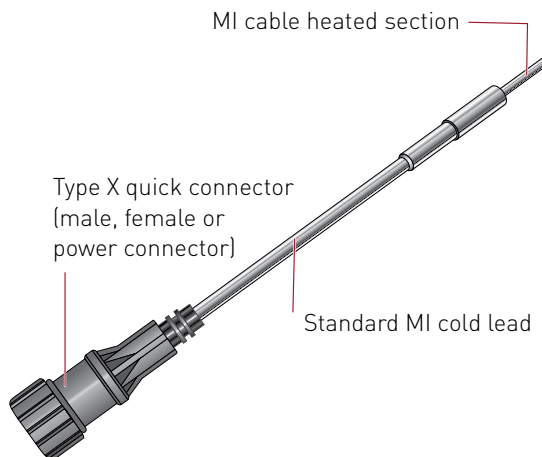


Raychem COLD LEAD OPTIONS FOR XMI MINERAL INSULATED (MI) HEATING CABLES

PRODUCT OVERVIEW

XMI with standard MI cold lead and Type X connector



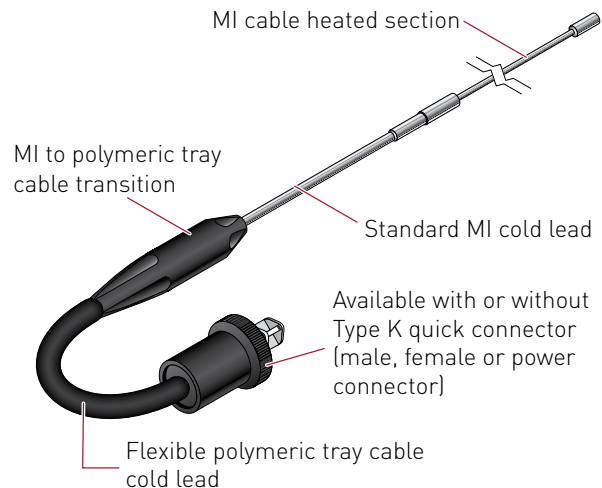
Raychem XMI mineral insulated cold lead cables can be supplied with optional Type X quick connectors. The connector is a "plug-in" style used to make quick and easy connections to other XMI heating cables in series, or to connect to a cable supplying power to the XMI heating cable.

FEATURES

- Easy installation in the field without the need for a junction box.
- Reduced labor costs in the field as wiring of junction box is eliminated for splice connections.
- Coaxial type connector means no rotational alignment of connectors on cold leads is required.
- Quick connection and disconnection of cold leads and power connections in the field results in reduced maintenance costs.
- Ideal for applications in module yards where series connected heating cables will be joined at module breaks.

PRODUCT OVERVIEW

XMI with PyroFLX cold lead and Type K connector



Raychem XMI mineral insulated cold lead cables are also available with an optional flexible polymeric PyroFLX cold lead with or without quick connectors. The PyroFLX cold lead option offers all of the benefits of a metal sheathed, Alloy 825 MI heating cable, along with the added advantages of a flexible, easy-to-install cold lead section.

The PyroFLX cold lead consists of a section of cold weather capable, highly impact resistant, flexible polymeric Type TC tray cable, integrated to a short segment of standard MI cold lead.

FEATURES

- Installations using the PyroFLX cold lead can be performed without excessive cold lead shaping and forming, minimizing expensive on-site labor costs, especially when long cold leads are required.
- The cable can be easily routed in the field and junction boxes and cable-to-cable connections can be extended to make them easily accessible for maintenance purposes, avoiding costly scaffolding and maintenance troubleshooting time.
- Ideal for applications in module yards where series connected heating cables will be joined at module breaks, around high maintenance valves to allow quick disconnection, and when re-locating the heating cable junction box down to grade level from a high point on a pipe rack.

This data sheet must be used in conjunction with the XMI-A data sheet H56870 and the XMI-L data sheet H59079. For additional information on other optional connectors that are available for MI cold leads, contact your Pentair Industrial Heat Tracing Solutions representative or call (800) 545-6258.

COLD LEAD OPTIONS

APPROVALS

**XMI (with type X quick connector or with PyroFLX cold lead and type K quick connectors)
Nonhazardous and Hazardous Locations
(CSA Canada-only approval)**

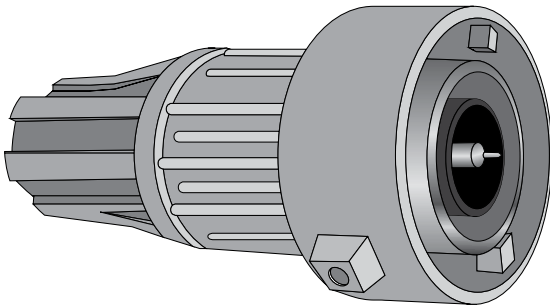


Class I, Div. 2, Groups A, B, C, D
Class II, Div. 2, Groups E, F, G
Class III
Class 1, Zone 2

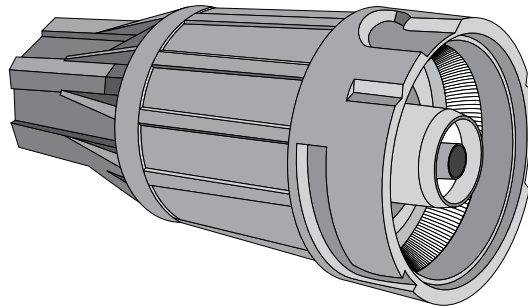
TYPE X QUICK CONNECTOR SPECIFICATIONS

| | |
|------------------------------|--------------------------------|
| Voltage Rating | 600 V |
| Current Rating | 35 A |
| Connector Rating | Type 6, IP 67 |
| Temperature Rating (ambient) | -40°F to 122°F (-40°C to 50°C) |
| Connector Length | |
| Male | 5 in (127 mm) |
| Female | 5 in (127 mm) |
| Connector Insert Color | |
| Male | Black |
| Female | Blue |

Type X Male connector



Type X Female connector

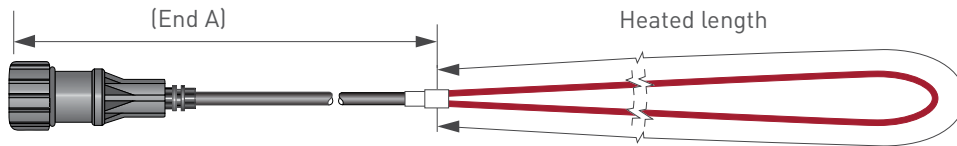


BASIC HEATING CABLE DESIGN CONFIGURATIONS WITH TYPE X QUICK CONNECTOR

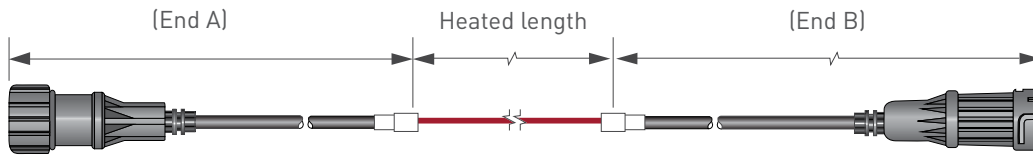
XMI mineral insulated heating cables can be supplied with Type X quick connectors in the four basic design configurations shown below. Design configurations A and D are supplied from the factory with one or more quick connectors assembled to the cold lead. Configurations B and E can be supplied with a combination of connectors or with a connector on one end and no connector on the other end.

Type X quick connectors for conventional MI cold leads are available in a combination of male, female, or power connector options (power connectors consist of a female and a male connector on a cold lead cable).

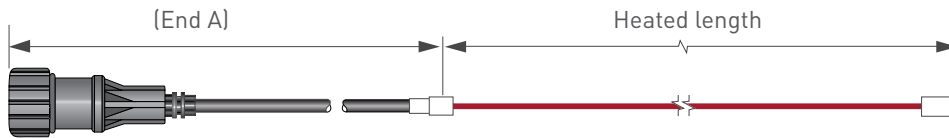
Design A (Single conductor)



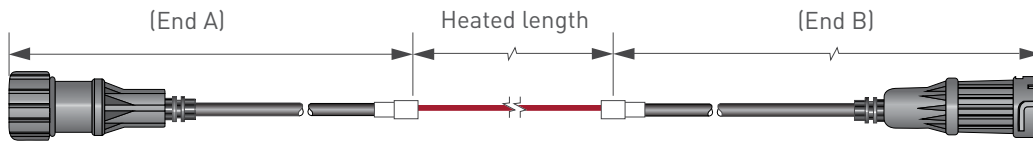
Design B (Single conductor)



Design D (Dual conductor)



Design E (Dual conductor)



HEATING CABLE CATALOG NUMBER WITH TYPE X QUICK CONNECTOR

An XMI heating unit with Type X connectors is ordered by compiling the catalog number based on the design of the specific engineered heating unit required for your application. Typically, an engineered heating unit is designed using our TraceCalc Pro design software which provides the catalog number as part of the design output. An explanation of the catalog number follows:

Example: Engineered Heating Unit (Part No.: EHU)

EHU: E/32SA2200/40/538/208/5-7/S25A/X/N12/XMF

E / 32SA2200 / 40 / 538 / 208 / 5 - 7 / S25A / X / N12 / XMF

Position: 1 / 2 / 3 / 4 / 5 / 6 / 7 / 8 / 9 / 10

| Position | Characteristic | Code options | Description |
|----------|-----------------------------------|--|---|
| 1 | Design Configuration ¹ | A, B, D, or E | Designates the basic heating cable design configuration of the XMI engineered heating unit (XMI-L units available only in D and E configurations). |
| 2 | Heating cable reference | See XMI-A and XMI-L data sheets | Indicates the XMI-A or XMI-L heating cable reference used in the design. Refer to data sheets H56870 and H59079. |
| 3 | Heated length | Length of the heated section in feet or meters | Default value is in feet; if in meters add "M" after the length. |
| 4 | Power | Power output of the heating unit | Power output at maintain temperature, in Watts, for the total heated length of the engineered heating unit. |
| 5 | Voltage | Effective voltage applied to a heating unit | This is the designed effective voltage that will be applied to the engineered heating unit (in the case of series connected heating units, it is the voltage across a single unit). |

COLD LEAD OPTIONS

| Position | Characteristic | Code options | Description |
|----------|--------------------------------|---|---|
| 6 | MI cold lead length | Length of the MI cold lead in feet or meters (End A length) or (End A length)-(End B length) | Default value is in feet; if in meters add "M" after the length. Standard lengths for XMI engineered heating units are 4 feet (1.2 m) or 7 feet (2.1 m), however, custom lengths can be designated here. For E and B configurations, which have cold leads on each end, a single value (such as "7") indicates that the MI cold lead on both ends is 7 feet long. A hyphenated value (such as "5-7") indicates that the cold lead on one end (End A) is 5 feet long and the cold lead on the other end (End B) is 7 feet long. Note that when specifying quick connectors for E and B configurations with two different cold lead lengths (such as "5-7"), the first number (5) is the length for End A and the second number (7) is the length for End B. This nomenclature ensures that the correct connector is installed on the correct length of cold lead. |
| 7 | MI cold lead code | Select the cold lead code from Table 1 | Table 1 is used to select the appropriate MI cold lead based on the current and voltage rating required by the design. |
| 8 | Hot-cold joint type | X or C | "X" type joint is used with all XMI-A engineered heating units. "C" type joint is used with all XMI-L engineered heating units. |
| 9 | Gland size reference | Refer to Table 1 | Gland size depends on the cold lead code selected from Table 1. |
| 10 | Connector options ² | | Position 10 in the EHU catalog number consists of three letters. The first letter (X) indicates Type X connector, the second letter (M, P, or N) is the connector option for End A and the third letter (M, F, or N) is the connector option for End B. |
| | | XMN - Male/Nothing | Standard MI cold lead with a Male connector on End A and no connector on End B. |
| | | XNF - Nothing/Female | Standard MI cold lead with no connector on End A and a Female connector on End B. |
| | | XMF - Male/Female | Standard MI cold lead with a Male connector on End A and a Female connector on End B. |
| | | XPF - Power/Female | Standard MI cold lead with a Power connector on End A and a Female connector on End B. |
| | | XPN - Power/Nothing | Standard MI cold lead with a Power connector on End A and no connector on End B. |
| | | XMM - Male/Male | Standard MI cold lead with a Male connector on End A and a Male connector on End B. |

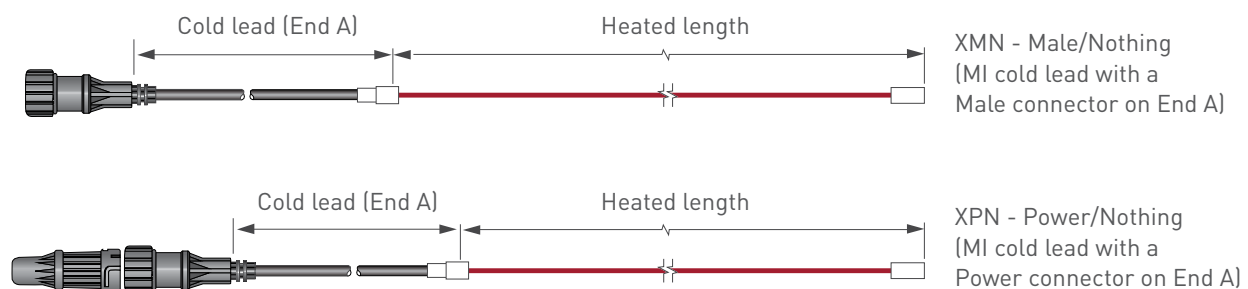
¹ Since Design A and Design D units only have a single cold lead, End B will always be "Nothing" (i.e. no connector).

² A Power connector consists of both a Female and a Male connector (the Male connector is attached to the cold lead; the Female connector will be connected to the power supply at the job site).

HEATING UNIT OPTIONS USING TYPE X QUICK CONNECTOR

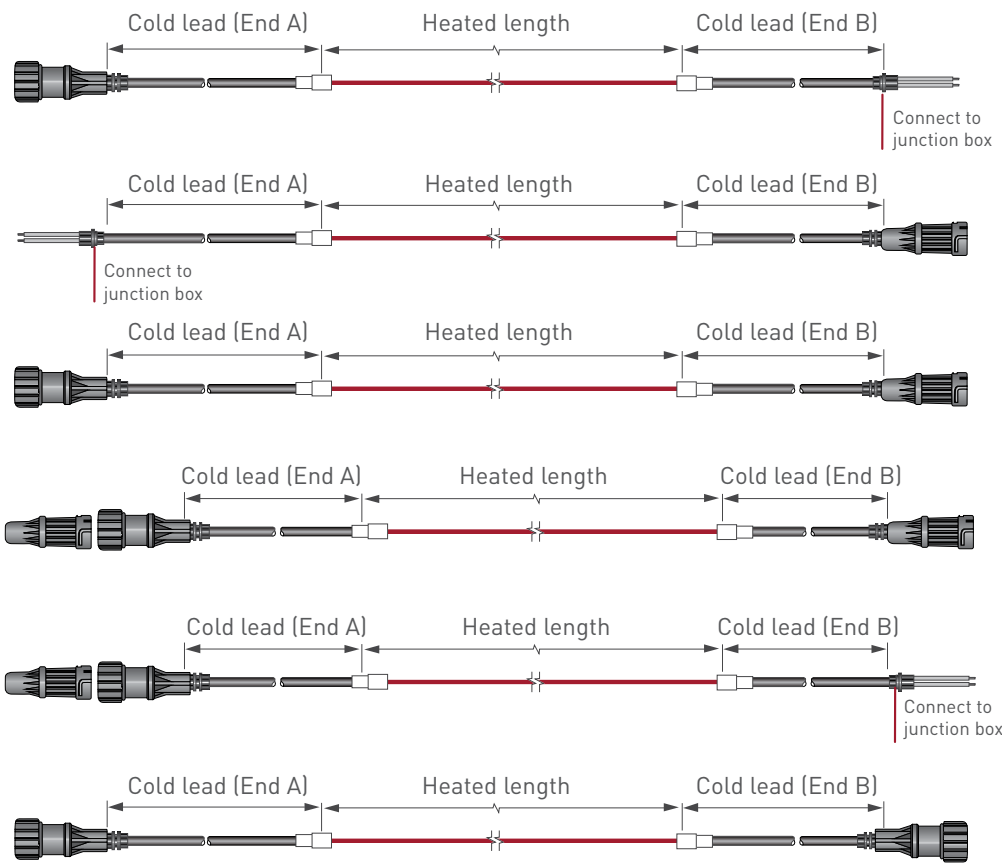
Design A (Single conductor)

Design D (Dual conductor)



Note: D design configuration shown

Design B (Single conductor)
Design E (Dual conductor)



XMN - Male/Nothing (MI cold lead with a Male connector on End A and no connector on End B)

XNF - Nothing/Female (MI cold lead with no connector on End A and a Female connector on End B)

XMF - Male/Female (MI cold lead with a Male connector on End A and a Female connector on End B)

XPF - Power/Female (MI cold lead with a Power connector on End A and a Female connector on End B)

XPN - Power/Nothing (MI cold lead with a Power connector on End A and no connector on End B)

XMM - Male/Male (MI cold lead with a Male connector on End A and a Male connector on End B)

Note: E design configuration shown

Examples using Type X quick connectors

D/62SQ3100/200/9920/480/4/S25A/X/N12/XMN

- Configuration is Design D
- XMI-A62 heating cable (600 V rated, dual conductor cable), resistance at 20°C is 0.100 Ω/ft (0.328 Ω/m)
- Heating cable length is 200 ft (61 m)
- Heating cable wattage is 9920 W at 480 V
- MI cold lead length is 4 ft (1.2 m) on End A
- MI cold lead code is S25A (25 Amps)
- Hot-cold joint type is "X" for use with XMI-A Alloy 825 sheath cables
- Gland connector is 1/2 in NPT
- Type X Male connector on End A

B/61SQ3118/250/6820/480/5-7/S29A/X/N12/XMF

- Configuration is Design B
- XMI-A61 heating cable (600 V rated, single conductor cable), resistance at 20°C is 0.118 Ω/ft (0.387 Ω/m)
- Heating cable length is 250 ft (76 m)
- Heating cable wattage is 6820 W at 480 V
- MI cold lead length is 5 ft (1.5 m) on End A and 7 ft (2.1 m) on End B
- MI cold lead code is S29A (29 Amps)
- Hot-cold joint type is "X" for use with XMI-A Alloy 825 sheath cables
- Gland connector is 1/2 in NPT
- Type X Male connector on End A and Female connector on End B

E/32SQ3200/25M/870/120/2.1M/LS23A/X/N12/XPF

- Configuration is Design E
- XMI-A32 heating cable (300 V rated, dual conductor cable), resistance at 20°C is 0.200 Ω/ft (0.656 Ω/m)
- Heating cable length is 25 m (82 ft)
- Heating cable wattage is 870 W at 120 V
- MI cold lead length is 2.1 m (7 ft) on both End A and End B
- MI cold lead code is LS23A (23 Amps)
- Hot-cold joint type is "X" for use with XMI-A Alloy 825 sheath cables
- Gland connector is 1/2 in NPT
- Type X Power connector on End A and Female connector on End B

TABLE 1 MI COLD LEAD SELECTION FOR USE WITH TYPE X QUICK CONNECTORS

Due to current rating limitations, only the standard cold leads shown in Table 1 may be used with Type X connectors. The cold lead is supplied from the factory with one or more quick connectors assembled to the cold lead.

| Cold lead code | Maximum voltage (V) | Maximum current (A) | Cold lead diameter (in) | Cold lead diameter (mm) | Gland size (NPT) ³ | Gland size reference | Tail size (AWG) ⁴ |
|-----------------------|---------------------|---------------------|-------------------------|-------------------------|-------------------------------|----------------------|------------------------------|
| Design A, D, E | | | | | | | |
| LS23A | 300 | 23 | 0.319 | 8.1 | 1/2 in | N12 | 14 |
| S25A | 600 | 25 | 0.355 | 9.0 | 1/2 in | N12 | 14 |
| S34A | 600 | 34 | 0.402 | 10.2 | 3/4 in | N34 | 10 |
| S49A | 600 | 35 | 0.496 | 12.6 | 3/4 in | N34 | 8 |
| Design B | | | | | | | |
| S29A | 600 | 29 | 0.215 | 5.5 | 1/2 in | N12 | 12 |
| S40A | 600 | 35 | 0.273 | 6.9 | 1/2 in | N12 | 10 |

Note: MI cold lead minimum bending radius is 6 times the cable diameter.

³ NPT gland will be factory-assembled to the quick connector and not visible. If a quick connector is not supplied on one end of a Design B or E unit, the cold lead will be terminated with the standard NPT gland connector.

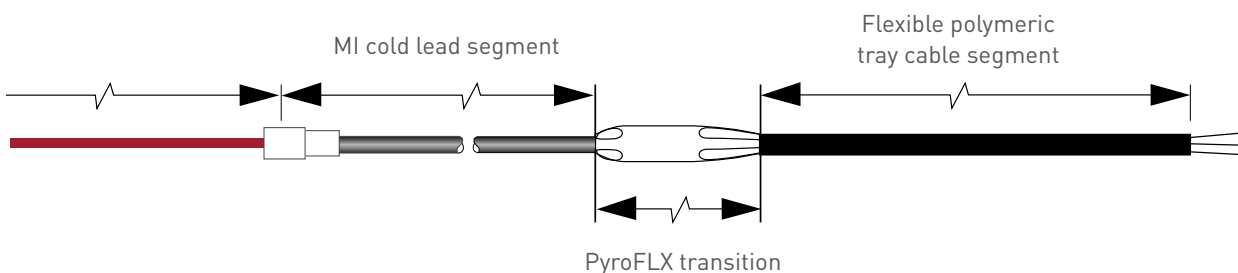
⁴ Tail size applies to cold leads without quick connectors

PYROFLX COLD LEAD OPTIONS

Heating cables with the PyroFLX cold lead option are supplied as complete factory-fabricated assemblies consisting of a MI heated section joined to a short segment of MI nonheating cold lead, which transitions into a flexible, polymeric tray cable by means of a molded splice.

There are three options for connection configurations on the PyroFLX cold lead.

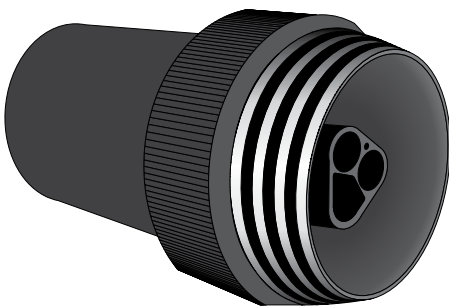
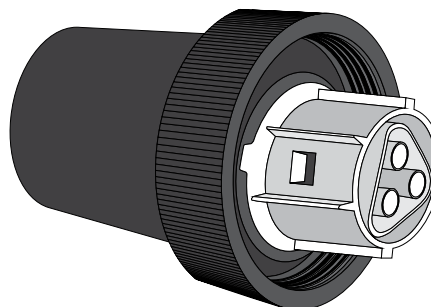
- 1) No connector
 - PyroFLX cold lead only for attachment into junction box
 - Customer must supply approved junction box connector for Type TC tray cable
- 2) Factory installed Type K quick connector
 - Installed standard at the factory (can be replaced in the field)
 - Available in both male, female, and power configurations
- 3) Field-installed Type K quick connector
 - Mechanically attached to PyroFLX cold lead cable in the field
 - Available in both male, female, and power configurations



PYROFLX COLD LEAD AND TYPE K QUICK CONNECTOR SPECIFICATIONS

| | |
|--|--------------------------------|
| Voltage Rating | 600 V |
| Current Rating | 30 A |
| Standard PyroFLX Cold Lead | |
| MI Cold Lead Segment ⁵ | 5 ft (1.5 m) |
| Flexible Tray Cable Segment ⁵ | 3 ft (0.9 m) |
| Flexible Tray Cable Diameter | 0.56 in (14.2 mm) |
| Flexible Tray Cable AWG Size | 10 AWG |
| Flexible Tray Cable Bending Radius | 2.2 in (56 mm) |
| Flexible Tray Cable Maximum Exposure Temperature | 194°F (90°C) |
| Connector Rating | Type 6P, IP 65 ... IP 68 |
| Temperature Rating (ambient) | -40°F to 140°F (-40°C to 60°C) |
| Connector Length | |
| Male | 3.2 in (81 mm) |
| Female | 2.8 in (70 mm) |
| Connector Insert Color | |
| Male | Black |
| Female | Light gray |

⁵ Longer lengths available

Type K Male connector**Type K Female connector****BASIC HEATING CABLE DESIGN CONFIGURATIONS WITH PYROFLX COLD LEAD AND TYPE K CONNECTOR**

XMI mineral insulated heating cables can be supplied with PyroFLX cold leads with or without Type K quick connectors. They are available in the four basic design configurations shown below. PyroFLX cold leads, for all design configurations, can be supplied with optional factory-installed Type K quick-connectors which do not require a junction box, or without a connector for field routing, trimming and installation into a junction box using standard tray cable connectors.

Type K quick connectors for PyroFLX cold leads are available in a combination of male, female, or power connector options (power connectors consist of a female and a male connector on one end of the heating cable).

HEATING CABLE CATALOG NUMBER WITH PYROFLX COLD LEAD

An XMI heating unit with PyroFLX cold leads, with or without Type K connectors, is ordered by compiling the catalog number based on the design of the specific engineered heating unit required for your application. Typically, an engineered heating unit is designed using our TraceCalc Pro design software which provides the catalog number as part of the design output. An explanation of the catalog number follows:

Example: Engineered Heating Unit (Part No.: EHU)

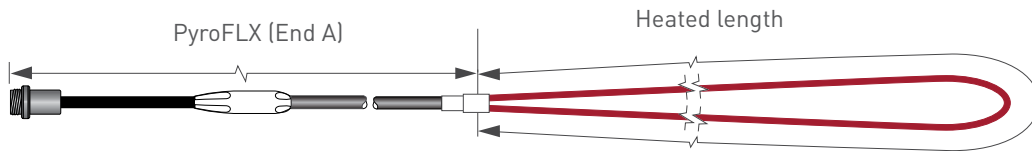
EHU: E/32SA2200/40/538/208/5-7/S25A/X/NG/T8-10/RKFM

E / 32SA2200 / 40 / 538 / 208 / 5 - 7 / S25A / X / NG / T8-10 / RKFM

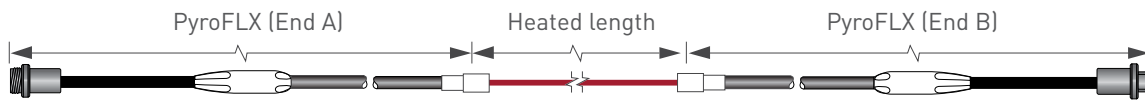
Position: 1 / 2 / 3 / 4 / 5 / 6 / 7 / 8 / 9 / 10 / 11

COLD LEAD OPTIONS

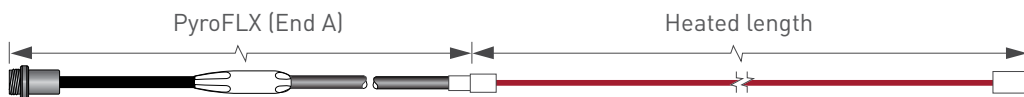
Design A (Single conductor)



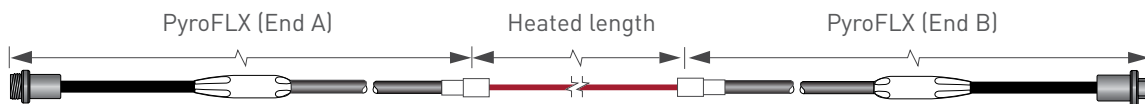
Design B (Single conductor)



Design D (Dual conductor)



Design E (Dual conductor)



| Position | Characteristic | Code options | Description |
|----------|-----------------------------------|--|---|
| 1 | Design Configuration ⁶ | A, B, D, or E | Designates the basic heating cable design configuration of the XMI engineered heating unit (XMI-L units available only in D and E configurations). |
| 2 | Heating cable reference | See XMI-A and XMI-L data sheets | Indicates the XMI-A or XMI-L heating cable reference used in the design. Refer to data sheets H56870 and H59079. |
| 3 | Heated length | Length of the heated section in feet or meters | Default value is in feet; if in meters add "M" after the length. |
| 4 | Power | Power output of the heating unit | Power output at maintain temperature, in Watts, for the total heated length of the engineered heating unit. |
| 5 | Voltage | Effective voltage applied to unit | This is the designed effective voltage that will be applied to the engineered heating unit (in the case of series connected heating units, it is the voltage across a single unit). |

| Position | Characteristic | Code options | Description |
|----------|------------------------------------|--|--|
| 6 | MI cold lead length | Length of the MI cold lead in feet or meters (End A length) or (End A length)- (End B length) | Default value is in feet; if in meters add "M" after the length. Standard MI cold lead length is 5 feet (1.5 m) for units with PyroFLX cold leads, however, custom lengths can be designated here. For E and B configurations, which have cold leads on each end, a single value (such as "5") indicates that both MI cold leads are to be 5 feet long. A hyphenated value (such as "5-7") indicates that the cold lead on one end (End A) is 5 feet long and the cold lead on the other end (End B) is 7 feet long. Note that when specifying quick connectors for E and B configurations with two different cold lead lengths (such as "5-7"), the first number (5) is the length for End A and the second number (7) is the length for End B. This nomenclature ensures that the correct connector is installed on the correct length of cold lead. |
| 7 | MI cold lead code | Select the cold lead code from Table 2 | Table 2 is used to select the appropriate MI cold lead based on the current and voltage rating required by the design. |
| 8 | Hot-cold joint type | X or C | "X" type joint is used with all XMI-A engineered heating units. "C" type joint is used with all XMI-L engineered heating units. |
| 9 | Gland size reference | NG | For PyroFLX cold leads, gland size default is "NG" (no gland) |
| 10 | Type TC flexible tray cable length | Length of the tray cable in feet or meters T(End A length) or T(End A length)- T(End B length) | Default value is in feet; if in meters add "M" after the length. Standard lengths for flexible tray cable is 3 feet (0.9 m), however, custom lengths can be designated here. For E and B configurations, which have cold leads on each end, a single value (such as "T3") indicates that the flexible tray cable on both ends is 3 feet long. A hyphenated value (such as "T3-T7") indicates that the flexible tray cable on one end (End A) is 3 feet long and the flexible tray cable on the other end (End B) is 7 feet long. Note that when specifying Type K quick connectors for E and B configurations with two different flexible tray cable lengths (such as "T3-T7"), the first number (3) is the length for End A and the second number (7) is the length for End B. This nomenclature ensures that the correct connector is installed on the correct length of tray cable. |
| 11 | Connector options ⁷ | RNN - Nothing/Nothing RKMN - Male/Nothing RKNF - Nothing/Female RKMF - Male/Female RKPF - Power/Female RKPN - Power/Nothing RKMM - Male/Male | PyroFLX cold lead with no connector on End A and no connector on End B Position 11 in the EHU catalog number for a PyroFLX cold lead with Type K connectors consists of four letters. The first letter (R) indicates the PyroFLX cold lead, the second letter (K) indicates Type K connector, the third letter (M, P, or N) is the connector option for End A and the fourth letter (M, F, or N) is the connector option for End B. PyroFLX cold lead with a Male connector on End A and no connector on End B PyroFLX cold lead with no connector on End A and a Female connector on End B PyroFLX cold lead with a Male connector on End A and a Female connector on End B PyroFLX cold lead with a Power connector on End A and a Female connector on End B PyroFLX cold lead with a Power connector on End A and no connector on End B PyroFLX cold lead with a Male connector on End A and a Male connector on End B |

⁶ Since Design A and Design D units only have a single cold lead, End B will always be "nothing" (i.e. no connector).

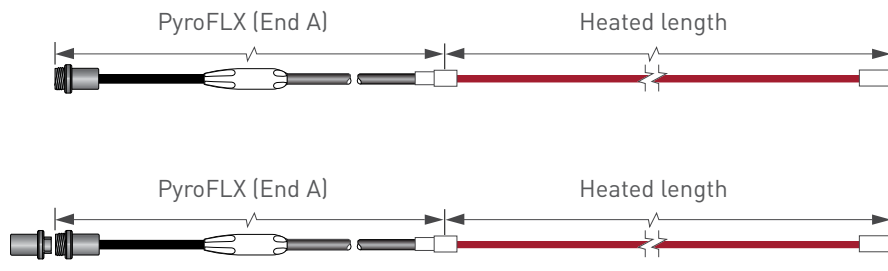
⁷ A Power connector consists of both a Female and a Male connector (the male connector is attached to the cold lead; the Female connector will be connected to the power supply at the job site).

COLD LEAD OPTIONS

HEATING UNIT OPTIONS USING PYROFLX COLD LEADS AND TYPE K QUICK CONNECTOR

Design A (Single conductor)

Design D (Dual conductor)



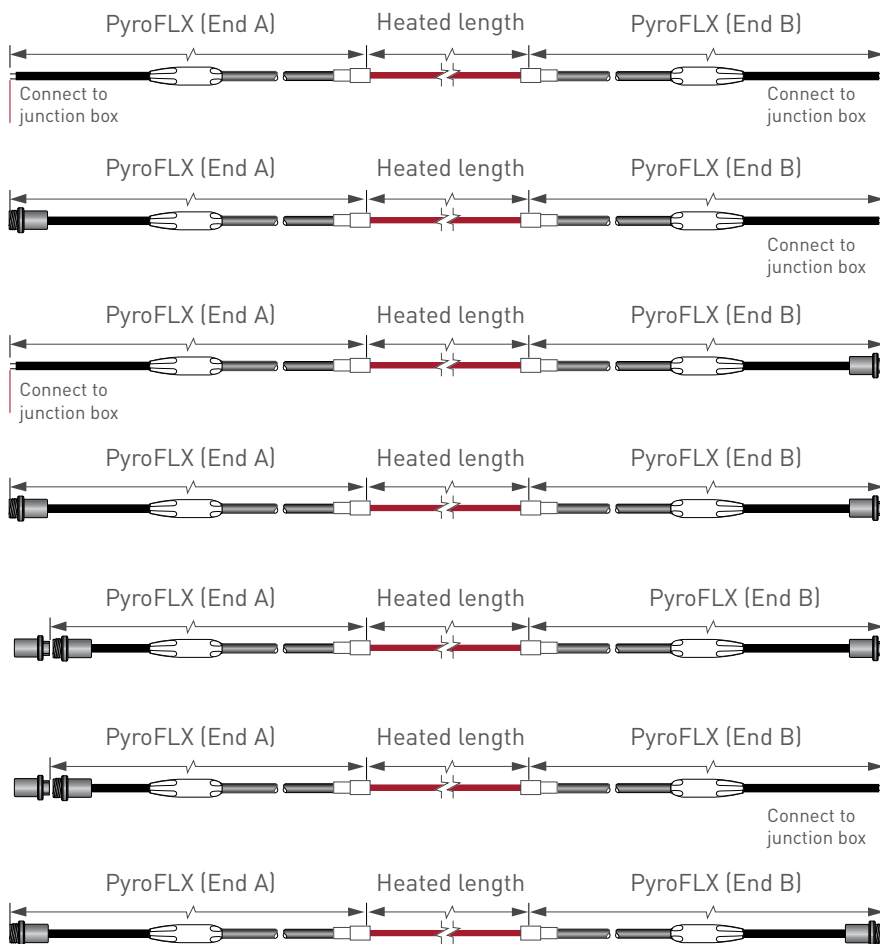
RKMN - Male/Nothing
(PyroFLX cold lead with a Male connector on End A)

RKPN - Power/Nothing
(PyroFLX cold lead with a Power connector on End A)

Note: D design configuration shown

Design B (Single conductor)

Design E (Dual conductor)



RNN - Nothing/Nothing (PyroFLX cold lead with no connector on End A and no connector on End B)

RKMN - Male/Nothing (PyroFLX cold lead with a Male connector on End A and no connector on End B)

RKNF - Nothing/Female (PyroFLX cold lead with no connector on End A and a Female connector on End B)

RKMF - Male/Female (PyroFLX cold lead with a Male connector on End A and a Female connector on End B)

RKPF - Power/Female (PyroFLX cold lead with a Power connector on End A and a Female connector on End B)

RKPN - Power/Nothing (PyroFLX cold lead with a Power connector on End A and no connector on End B)

RKMM - Male/Male (PyroFLX cold lead with a Male connector on End A and a Male connector on End B)

Note: E design configuration shown

Examples using PyroFLX cold lead, with and without Type K quick connectors

D/62SQ3100/200/9920/480/5/S25A/X/NG/T3/RKMN

- Configuration is Design D
- XMI-A62 heating cable (600 V rated, dual conductor cable), resistance at 20°C is 0.100 Ω/ft (0.328 Ω/m)
- Heating cable length is 200 ft (61 m)
- Heating cable wattage is 9920 W at 480 V
- MI cold lead length is 5 ft (1.5 m) on End A
- MI cold lead code is S25A (25 Amps)
- Hot-cold joint type is "X" for use with XMI-A Alloy 825 sheath cables
- Gland connector is NG (no gland)
- Flexible tray cable is 3 ft (0.9 m) on End A
- Type K Male connector on End A

E/32SQ3200/25M/840/120/1.5M/LS23A/X/NG/T2.4M-T3.0M/RKPF

- Configuration is Design E
- XMI-A32 heating cable (300 V rated, dual conductor cable), resistance at 20°C is 0.200 Ω/ft (0.656 Ω/m)
- Heating cable length is 25 m (82 ft)
- Heating cable wattage is 840 W at 120 V
- MI cold lead length is 1.5 m (5 ft) on both End A and End B
- MI cold lead code is LS23A (23 Amps)
- Hot-cold joint type is "X" for use with XMI-A Alloy 825 sheath cables
- Gland connector is NG (no gland)
- Flexible tray cable is 2.4 m (8 ft) on End A and 3 m (10 ft) long on End B
- Type K Power connector on End A and Female connector on End B

B/61SQ3118/250/6820/480/5-7/S29A/X/NG/T8/RKMF

- Configuration is Design B
- XMI-A61 heating cable (600 V rated, single conductor cable), resistance at 20°C is 0.118 Ω/ft (0.387 Ω/m)
- Heating cable length is 250 ft (76 m)
- Heating cable wattage is 6820 W at 480 V
- MI cold lead length is 5 ft (1.5 m) on End A and 7 ft (2.1 m) on End B
- MI cold lead code is S29A (29 Amps)
- Hot-cold joint type is "X" for use with XMI-A Alloy 825 sheath cables
- Gland connector is NG (no gland)
- Flexible tray cable is 8 ft (2.4 m) on both End A and End B
- Type K Male connector on End A and Female connector on End B

TABLE 2 MI COLD LEAD CODES FOR USE WITH PYROFLX COLD LEADS AND TYPE K QUICK CONNECTORS

Due to current rating limitations, only the standard MI cold lead codes shown in Table 2 may be used with PyroFLX cold leads and Type K connectors. The PyroFLX cold lead is supplied from the factory with no quick connectors or with one or more quick connectors assembled to the cold lead.

| Cold lead code | Maximum voltage (V) | Maximum current (A) | Cold lead diameter (in) | Cold lead diameter (mm) | Gland size reference | Tray cable tail size (AWG) ⁸ |
|-----------------------|---------------------|---------------------|-------------------------|-------------------------|----------------------|---|
| Design A, D, E | | | | | | |
| LS23A | 300 | 23 | 0.319 | 8.1 | NG | 10 |
| S25A | 600 | 25 | 0.355 | 9.0 | NG | 10 |
| S34A | 600 | 30 | 0.402 | 10.2 | NG | 10 |
| Design B | | | | | | |
| S29A | 600 | 29 | 0.215 | 5.5 | NG | 10 |
| S40A | 600 | 30 | 0.273 | 6.9 | NG | 10 |

Note: MI cold lead minimum bending radius is 6 times the cable diameter.

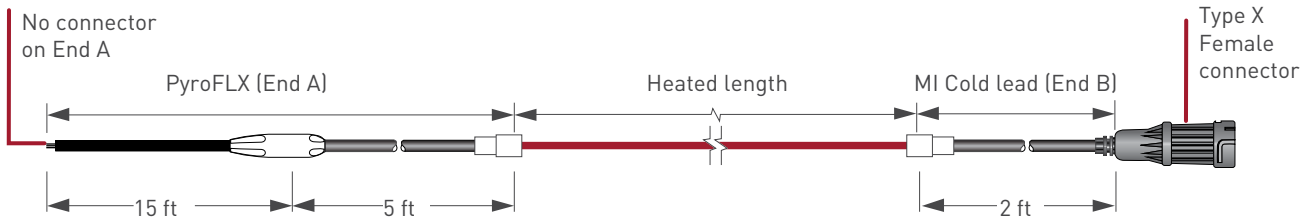
⁸ Tail size applies to cold leads without quick connectors (i.e. tray cable tails).

COLD LEAD OPTIONS

OTHER COLD LEAD OPTIONS

Other types of connectors are available to terminate mineral insulated cold leads. In addition, a heating cable can be terminated with a PyroFLX cold lead and Type K connector (or no connector) on one end and a mineral insulated cold lead and Type X connector on the other end as shown in the example below. For additional information on other optional connectors that are available for MI cold leads, contact your Pentair Industrial Heat Tracing Solutions representative or call (800) 545-6258.

EHU: E/32SQ3200/82/840/120/5-2/LS23A/X/N12/T15.0-T0.0/RNXF



RNXF - PyroFLX cold lead with no connector on End A
and MI cold lead with Type X Female connector on End B

GROUND-FAULT PROTECTION

To minimize the danger of fire from sustained electrical arcing if the heating cable is damaged or improperly installed, and to comply with the requirements of Pentair Industrial Heat Tracing Solutions, agency certifications, and national electrical codes, ground-fault equipment protection must be used on each heating cable branch circuit. Arcing may not be stopped by conventional circuit protection. Many Raychem control and monitoring systems meet the ground-fault protection requirement.



WWW.PENTAIRTHERMAL.COM

NORTH AMERICA

Tel: +1.800.545.6258
Fax: +1.800.527.5703
Tel: +1.650.216.1526
Fax: +1.650.474.7711
thermal.info@pentair.com

EUROPE, MIDDLE EAST, AFRICA

Tel: +32.16.213.511
Fax: +32.16.213.603
thermal.info@pentair.com

ASIA PACIFIC

Tel: +86.21.2412.1688
Fax: +86.21.5426.2937
cn.thermal.info@pentair.com

LATIN AMERICA

Tel: + 1.713.868.4800
Fax: + 1.713.868.2333
thermal.info@pentair.com

Pentair, PyroFLX and TraceCalc Pro are owned by Pentair or its global affiliates. All other trademarks are the property of their respective owners. Pentair reserves the right to change specifications without prior notice.

© 2014-2016 Pentair.